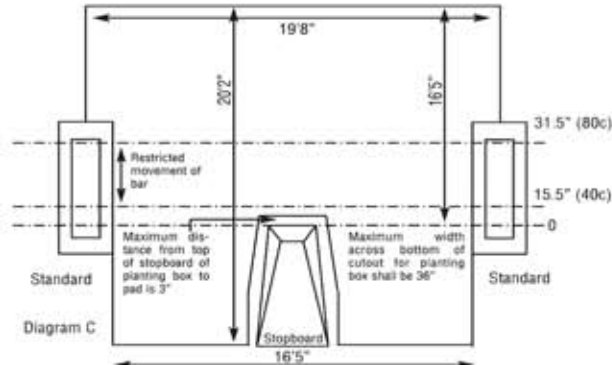
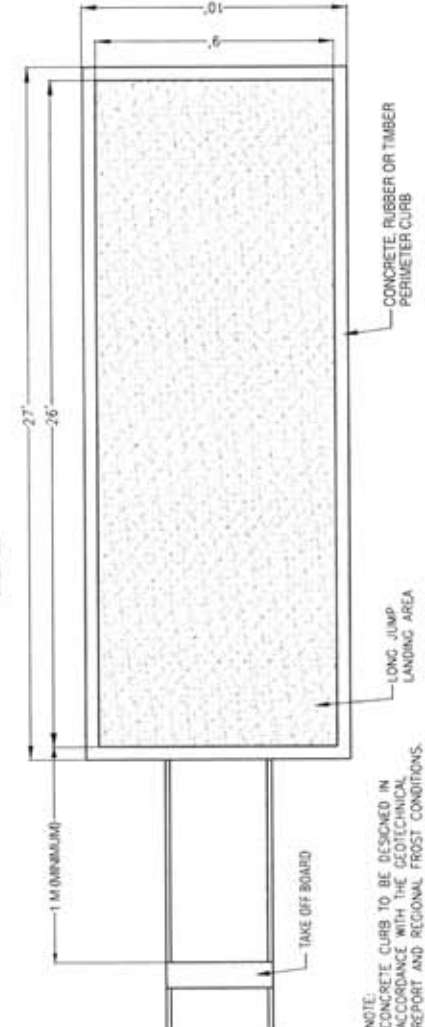
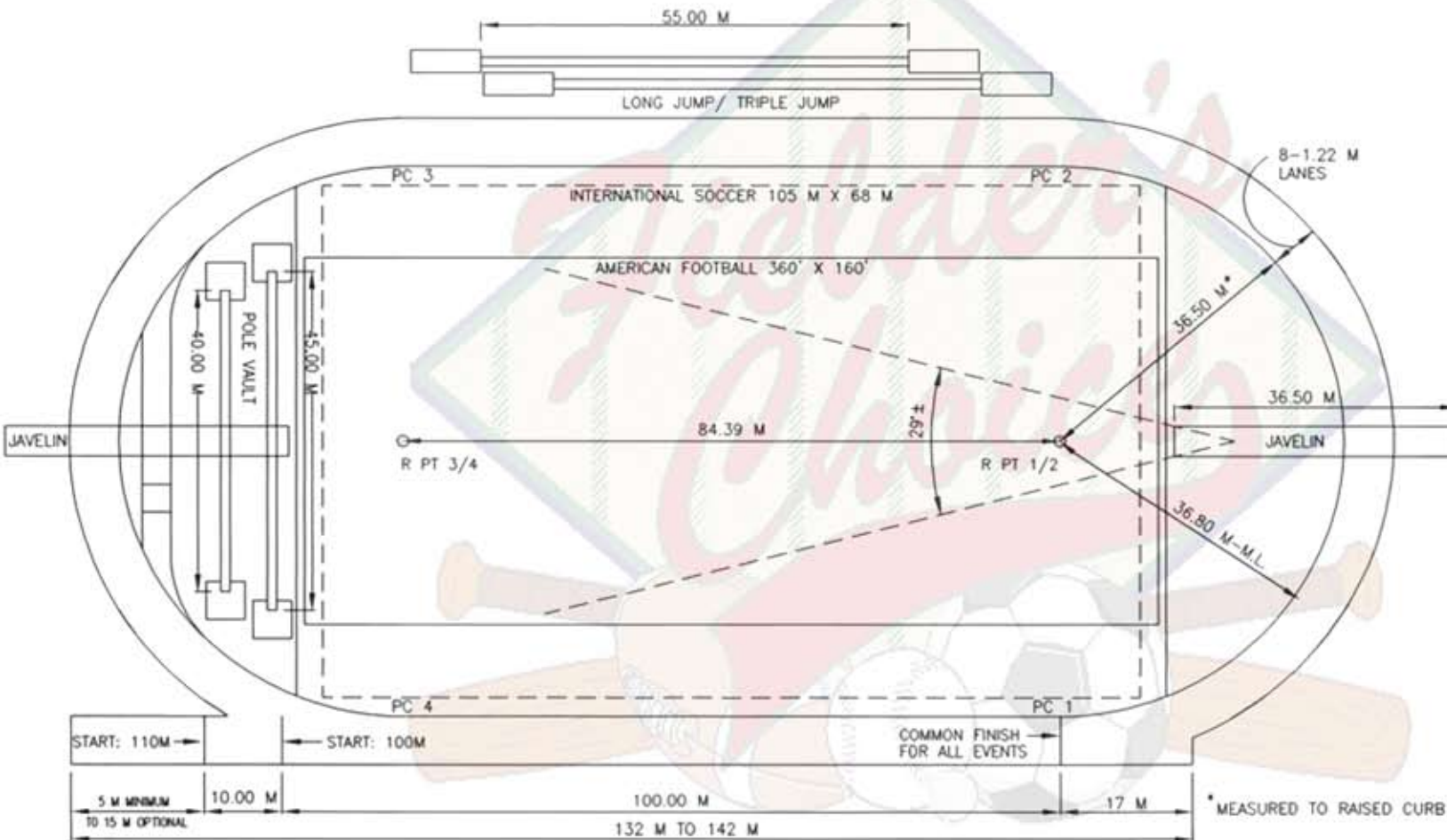
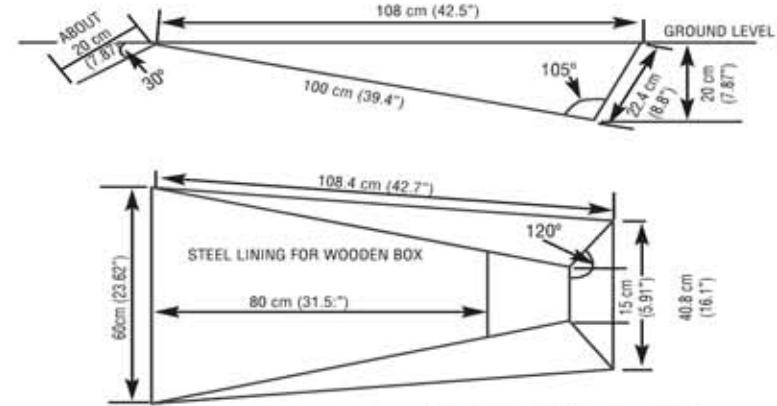




Note: This Diagram is meant as a reference. If you have any questions, please feel free to call **Fielder's Choice, Inc.** at **281.484.6400**.



LANDING SYSTEM: The standards or uprights shall be set to position the crossbar from a point 15.5 inches (40c) beyond the vertical plane of the top of the stopboard, up to a maximum distance of 31.5 inches (80c) in the direction of the landing surface.



NOTE: CONCRETE CURB TO BE DESIGNED IN ACCORDANCE WITH THE GEOTECHNICAL REPORT AND REGIONAL FROST CONDITIONS.